



TECHNICAL PUBLICATIONS DEK



Service Parts

Motorcraft 



Accessories

PARTS AND
ACCESSORIES

RELATE TO

TECH MGR

VICE MGR

Copyright © 1976 Ford Motor Company
Ford Motor Company, Dearborn, Michigan 48116

TPL 3 JUNE 1976

ESCORT RS 2000 (1976)

UNIQUE PARTS

LISTING

mm

FOREWORD

This listing contains unique parts information applicable to the imported Escort RS 2000.

When interpreting parts information pertaining to Escort RS 2000 the information contained in this T.P.L. will override concurrent information in Catalogue 138F.

PERFORMANCE PARTS Escort RS 2000

A limited range of performance parts are available for competition use only. Details of these parts are available from your Regional P & A Office.

Marketing
Parts & Accessories

ESCORT RS 2000

76/	WHEEL ASSY. ROAD -- 5 1/2 x 13	5	H75AB	1007	GA
76/	NUT - wheel retaining	16	H75AB	1012	AA
76/	HUB & BEARING ASSY. -- front wheel	2	75LB	1104	AA
76/	STUD -- front wheel retaining	8	74AB	1107	AA
76/	DISC -- front wheel brake	2	71EB	1125	CA
76/	BOLT - brake disc to hub -- M10 x 25	8	120707 ES8		
76/	DRUM ASSY. -- rear wheel brake	2	72BA	1126	BA
76/	CAP -- wheel hub centre	4	H75AB	1130	CA
76/	CAP - front hub grease	2	69VB	1139	AA
76/	BEARING ASSY. -- front wheel outer	2	204E	1215	A1
76/	BEARING ASSY. -- front wheel inner	2	72GB	1200	A1A
76/	KIT - brake master cylinder repair	1	70EB	2004	BA
76/	SHIELD -- disc brake splash -- R.H.	1	H75AB	2K004	AA
76/	BOOSTER ASSY. - brake	1	74EB	2005	DB
76/	SHIELD - disc brake splash -- L.H.	1	H75AB	2K005	AA
76/	BOLT - splash shield to caliper	2	20311 S7		
76/	BOLT - splash shield to spindle	4	120730 ES2		
76/	KIT - front brake pad	1	TD	2K021	KT
76/	KIT - rear brake shoe retaining	1	3004E	2A094	A
76/	KIT - rear brake cylinder seal	1	75AB	2128	AA
76/	CYLINDER ASSY. - brake master	1	74EB	2140	AB
76/	CAP - brake master cylinder reservoir	1	74EB	2162	AB
76/	KIT - rear brake shoe & lining	1	75AB	2200	BA
76/	PLATE ASSY. -- rear brake backing -- R.H.	1	75AB	2211	CA
76/	PLATE ASSY. -- rear brake backing -- L.H.	1	75AB	2212	CA
76/	CALIPER ASSY. -- front brake -- R.H.	1	71EB	21231	AA
76/	CALIPER ASSY. -- front brake -- L.H.	1	71EB	21232	AA
76/	BOLT - caliper retaining	4	E400003 S72		
76/	CYLINDER ASSY. -- rear brake	2	75AB	2261	AA
76/	BOOT - parking brake lever dust	2	75AB	2L356	AA
76/	RESERVOIR -- brake master cylinder	1	74EB	2K478	AA
76/	SPRING -- brake master cylinder piston -- primary	1	3015E	2A504	A
76/	LEVER ASSY. -- rear brake adjustment -- R.H.	1	75AB	2L643	BA
76/	LEVER ASSY. -- rear brake adjustment -- L.H.	1	75AB	2L644	BA
76/	STOP -- parking brake lever	2	75AB	2A795	AA
76/	CABLE ASSY. -- parking brake	1	75AB	2833	BA
76/	BUMPER -- front suspension	2	74EB	3025	AA
76/	BUSH -- track control arm	2	69EB	3063	AB
76/	ABSORBER -- front suspension shock -- R.H.	1	H75AB	3K033	AA
76/	ABSORBER -- front suspension shock -- L.H.	1	H75AB	3K034	AA
76/	NUT shock absorber retaining MS	6	E620433 S72		
76/	ARM -- steering spindle -- R.H.	1	3038E	3130	C
76/	ARM -- steering spindle -- L.H.	1	3038F	3131	C
76/	BOLT - steering spindle arm retaining	4	120730 ES2		
76/	NUT - steering spindle arm retaining	4	114645 ES8		
76/	END ASSY - spindle connecting rod	2	H75AB	3289	AA
76/	SFAL - ball joint dust	2	69AB	3332	AA
76/	RING - seal retaining	2	E860002 S		
76/	PAD ASSY - steering wheel hub	1	H75AB	3K640	AA
76/	JOINT ASSY. -- steering column	1	75AB	3B763	BA
76/	HOUSING ASSY. -- rear axle	1	H75AB	4010	AA
76/	DIFFERENTIAL ASSY. -- 3.54:1	1	74FC	4209	BA
76/	CROWN WHEEL & PINION ASSY. 3.54:1	1	71EC	4309	AA
76/	SHIM -- driveshaft centre bearing mounting	2	H75AB	4A209	AA
76/	SHAFT ASSY. -- drive -- rear	1	75AG	4802	ABA
76/	MEMBER ASSY. -- engine front support cross	1	H75AB	5019	AA
76/	MUFFLER ASSY. -- rear	1	H75AB	5K214	AA
76/	MUFFLER ASSY. -- front	1	H75AB	5221	AA
76/	STUD - exhaust pipe to manifold -- M10	3	H804203 S100		
76/	BOLT - exhaust pipe front 'U'	1	72GB	5A239	AA
76/	BOLT - exhaust pipe rear 'U'	1	H75AB	5A239	AA
76/	PIPE ASSY. -- central exhaust	1	H75AB	5245	CA
76/	PIPE ASSY. -- front exhaust	1	H75AB	5245	BA
76/	NUT - exhaust pipe to manifold	3	E620315 S72		
76/	BRACKET ASSY. -- rear muffler support	1	71AB	5A261	AA
76/	INSULATOR -- exhaust system mounting -- rear	1	75AB	5A262	BA
76/	FLANGE -- front exhaust pipe to central pipe	1	74BB	5269	AA
76/	CLAMP - exhaust pipe 'U' bolt -- rear	1	H75AB	5270	AA
76/	CLAMP - exhaust pipe 'U' bolt -- front	1	72GB	5270	AA
76/	INSULATOR -- exhaust system mounting	2	69AB	5281	AA
76/	SPRING - front suspension	2	72EB	5310	VA
76/	BERT ASSY - front suspension spring -- upper	2	70AB	5A318	AA
76/	MOUNTING ASSY - front shock absorber	1	72EB	5427	A1B
76/	BAR ASSY - front stabilizer	1	H75AB	5451	AA
76/	BUSH - front stabilizer bar to axle	2	72EB	5451	AB
76/	PLATE - front stabilizer bar pivot mounting base	1	72EB	5452	AB

ESCORT RS 2000

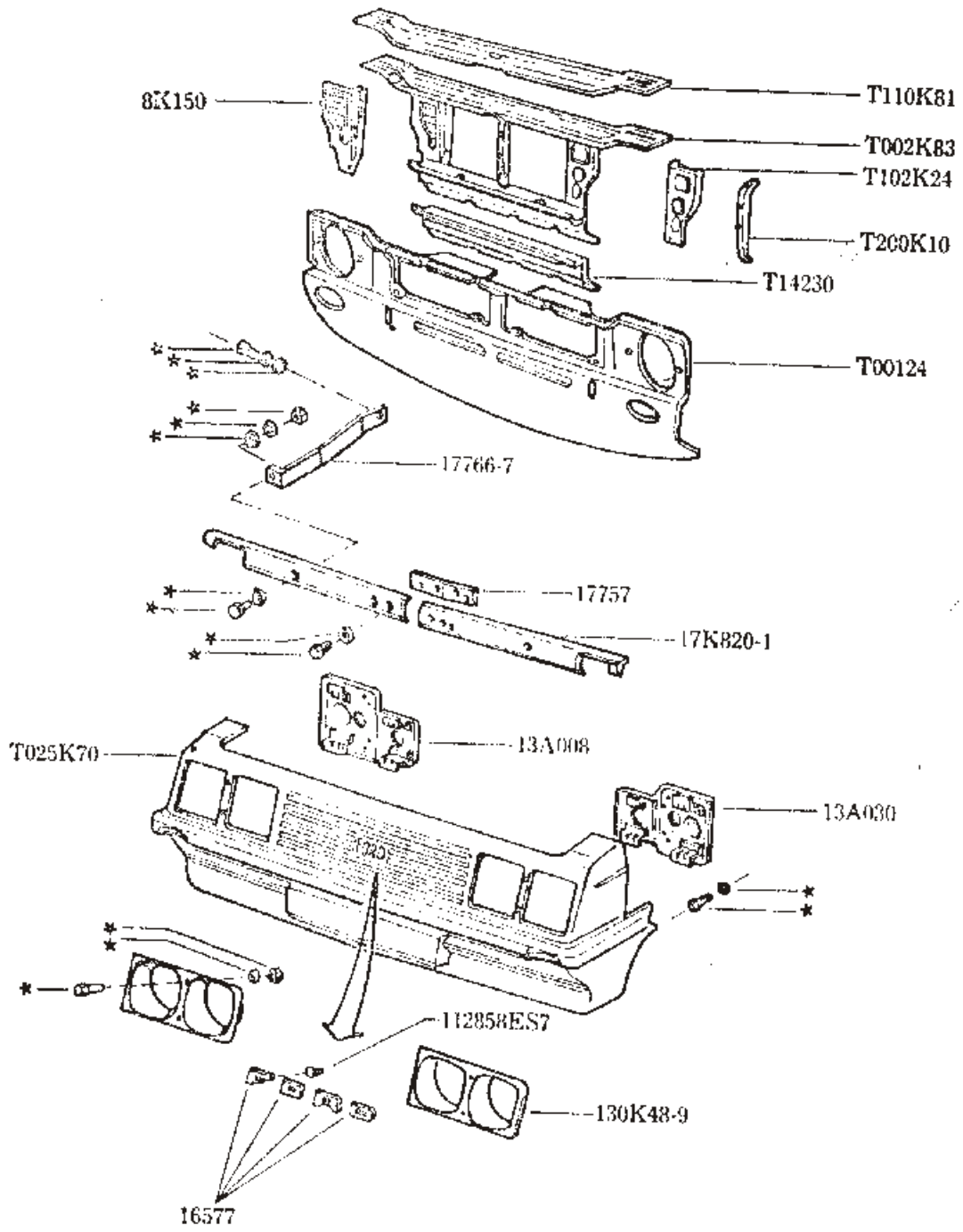
	CLAMP - front stabilizer bar pivot bush	2	69AB	5488	AA
76/	BUSH ASSY. - rear axle radius arm - front	2	118E	55553	A
76/	SPRING ASSY. - rear suspension	2	75AB	5560	KA
76/	ARM ASSY. - rear suspension radius - R.H.	1	H74AB	5K561	AA
76/	ARM ASSY. - rear suspension radius - L.H.	1	H74AB	5K652	AA
76/	BOLT - rear suspension radius arm - front pivot	2	20556 S8		
76/	BOLT - rear suspension radius arm - rear pivot	2	100E	5780	
76/	CYLINDER ASSY.	1	71HM	6011	MA
76/	BRACKET ASSY. - engine front mount - R.H.	1	H75HF	6030	HA
76/	BRACKET ASSY. - engine front mount - L.H.	1	H75HF	6031	BA
76/	RETAINER - engine - rear support insulator - L.H.	1	H73AB	6053	DA
76/	RETAINER - engine - rear support insulator - R.H.	1	H73AB	6053	EA
76/	INSULATOR ASSY. - engine rear support - lower	1	H75AB	6068	AA
76/	BOLT - support to body	4	131096 ESBA2		
76/	FLYWHEEL ASSY.	1	70HM	6375	HA
76/	DOWEL - clutch housing locating	2	70HM	6397	AA
76/	COVER & SCREEN ASSY. - oil pump	1	H73HF	6K621	AC
76/	PAN ASSY. - engine oil	1	H73HF	6675	BA
76/	GASKET - oil pan - R.H.	1	H73HF	6710	AA
76/	GASKET - oil pan - L.H.	1	H73HF	6711	AA
76/	BOLT - pan to cylinder block	23	H602529 S		
76/	PLUG - oil drain	1	E602227 S72		
76/	GASKET - oil drain plug	1	E835100 S		
76/	CONNECTOR - oil separator to intake manifold	1	H75AF	6A740	AA
76/	DIP STICK	1	H73HF	6750	AA
76/	TRANSMISSION ASSY	1	72BG	7003	AEA
76/	BOLT - M12 x 30 - transmission to clutch housing	4	E800224 S72		
76/	KNOB - gear change lever	1	74ET	7217	AAFA
76/	SPACER - gear change lever	1	H73AB	7220	AA
76/	LEVER ASSY. - gear change	1	H73AB	7K387	AA
76/	NUT - gear change lever knob locking	1	74ET	7C404	AA
76/	HOUSING ASSY. - clutch	1	H73AB	7505	AB
76/	BOLT - M10 x 30 - clutch housing to engine block	1	E602209 S72		
76/	LEVER - clutch release	1	71BB	7541	GA
76/	HUB & BEARING ASSY. - clutch release	1	75BB	7548	AA
76/	WASHER - clutch release lever	1	H111043 S		
76/	DISC ASSY. - clutch	1	74EB	7550	DA
76/	CABLE ASSY. - clutch release	1	H75AB	7K553	AA
76/	PLATE ASSY. - clutch pressure	1	72GB	7563	AB
76/	GASKET - clutch housing to transmission	1	71BB	7A619	AB
76/	RADIATOR ASSY. - engine cooling	1	H75AB	8005	AA
76/	HOSE - radiator upper	1	H75AB	8260	AA
76/	HOSE - radiator lower	1	H75AB	8286	AA
76/	CONNECTION - water pump outlet	1	H75HF	8594	AA
76/	FAN ASSY. - engine cooling	1	74EB	8600	AA
76/	BOLT - fan to pulley	4	E602549 S36		
76/	PIPE ASSY. - oil pressure indicator	1	H75AB	9B278	BB
76/	PIPE ASSY. - fuel	1	H75AB	9289	AA
76/	CONNECTOR - oil pressure pipe to engine	1	72GB	9D295	BB
76/	GAUGE ASSY. - fuel	1	H75AB	9305	AA
76/	INDICATOR ASSY. - oil pressure	1	H75AB	9B308	AA
76/	MANIFOLD ASSY. - inlet	1	71HF	9424	JB
76/	BOLT - M8 x 30 - intake manifold	3	E602551 S36		
76/	NUT - M8 - intake manifold	4	E620013 S36		
76/	MANIFOLD ASSY. - exhaust	1	H71HF	9430	BB
76/	GASKET - exhaust manifold flange	1	H75AB	9451	AC
76/	CARBURETTOR ASSY.	1	74HF	9510	CA
76/	JET - starting air primary	1	692F	9K511	AA
76/	JET - starting air secondary	1	74HF	9K511	BA
76/	JET - main primary	1	116E	9533	A
76/	JET - Main secondary	1	116E	9533	C
76/	VALVE ASSY. - enrichment	1	71HF	9G551	BA
76/	SPRING - carb. throttle return	1	72GB	9B569	AA
76/	NOZZLE - accelerator pump discharge	1	74HF	9A574	AA
76/	CLEANER ASSY. - engine air	1	72HF	9600	GC
76/	SUPPORT - air cleaner rear	1	72HF	9B604	BB
76/	GASKET - air cleaner	1	711F	9654	AC
76/	PLATE ASSY. - intermediate	1	72HF	9655	AA
76/	SUPPORT - air cleaner front	1	72HF	9A697	CB
76/	SPRING ASSY. - carb. choke control	1	72BB	9P775	BA
76/	CABLE ASSY. - throttle control	1	72GB	9C799	CH
76/	BRACKET - cable throttle control	1	74BB	9K819	BA
76/	HOSE - water inlet auto. choke	1	H75HF	9820	AA
76/	SHAFT ASSY. - throttle operating	1	74BB	9919	CA
76/	ARM - fan belt adjusting	1	H75AB	10145	BA
76/	ALTERNATOR ASSY. - 35 amp.	1	72GP	10300	MB

ESCORT RS 2000

76/	REGULATOR ASSY.	1	74BB	10316	AA
76/	BRACKET - fan belt adjusting arm to block	1	H75AB	10A345	AA
76/	WIRING ASSY. - alternator to regulator	1	72EG	10A589	BA
76/	REGULATOR ASSY. - instrument cluster voltage	1	H75AB	10804	AA
76/	HOUSING ASSY. - instrument cluster	1	H75AB	10838	AA
76/	CIRCUIT - instrument cluster printed	1	H75AB	10K843	AA
76/	PLATE - instrument cluster tachometer	1	H75AB	10848	BA
76/	PLATE - instrument cluster speedometer	1	H75AB	10848	AA
76/	PLATE - instrument cluster central	1	H75AB	10848	CA
76/	JEWELS - instrument cluster warning	1	H75AB	10A936	AA
76/	GAUGE ASSY. - water temperature	1	H75AB	10970	AA
76/	STARTER MOTOR ASSY.	1	71BB	11020	BA
76/	SWITCH ASSY. - lights & wiper	1	74BG	11K665	CA
76/	DISTRIBUTOR ASSY.	1	76HF	12100	DA
76/	HEADLAMP ASSY. - twin R.H.	1	H75AB	13005	A
76/	LENS & REFLECTOR ASSY. - twin inner beam	2	H75AB	13K005	AA
76/	HEADLAMP ASSY. - twin L.H.	1	H75AB	13006	BA
76/	PLATE ASSY. - headlamp R.H. mounting	1	H75AB	13A008	BA
76/	BULB ASSY. - high beam lamp	2	69AG	13009	AA
76/	LENS & REFLECTOR ASSY. - twin outer beam	2	H75AB	13K005	CA
76/	BEZEL - twin headlamp R.H.	1	H75AB	13048	AA
76/	BEZEL - twin headlamp L.H.	1	H75AB	13049	AA
76/	WIRING ASSY. - headlamp to engine compartment wiring	1	H75AB	13N052	AA
76/	RING - headlamp retainer	4	H75AB	13N010	AA
76/	PLATE ASSY. - headlamp L.H. mounting	1	H75AB	13A030	BA
76/	SEAL - headlamp	4	H75AB	13044	AA
76/	CAP - bulb sealing	2	H75AB	13A133	AA
76/	SWITCH ASSY. - luggage compartment	1	H75AB	13713	AA
76/	SWITCH ASSY. - engine compartment	1	H75AB	13713	BA
76/	CABLE ASSY. - battery to starter motor	1	73BB	14300	GA
76/	WIRING ASSY. - main	1	H75AB	14401	AA
76/	WIRING ASSY. - rear lamps	1	H75AB	14405	AC
76/	CLOCK ASSY.	1	72GB	15000	A1A
76/	BOX ASSY. - instrument panel glove compartment	1	H75AB	15A003	BB
76/	SWITCH ASSY. - reversing lamps	1	69AB	15520	AA
76/	LAMP ASSY. - engine compartment	1	H75AB	15702	CA
76/	DECAL - stripe upper R.H. - black	1	H75AB	16D004	AAAA
76/	FENDER ASSY. - front R.H.	1	HP75AB	16005	AA
76/	DECAL - stripe upper L.H. - black	1	H75AB	16D005	AAAA
76/	FENDER ASSY. - front L.H.	1	HP75AB	16006	AA
76/	BADGE - front fender	1	76EB	16098	BA
76/	DECAL - stripe lower rear R.H. - black	1	H75AB	16A222	BAAA
76/	DECAL - stripe lower rear L.H. - black	1	H75AB	16A223	BAAA
76/	LETTER - name plate letter 'D'	1	H75AB	16577	HA
76/	LETTER - name plate letter 'R'	1	H75AB	16577	GA
76/	LETTER - name plate letter 'O'	1	H75AB	16577	FA
76/	LETTER - name plate letter 'F'	1	H75AB	16577	EA
76/	HOOD ASSY.	1	HP75AB	16612	AA
76/	RELAY - windshield wiper intermittent switch	1	H75AB	17C499	AA
76/	BRACKET - rear bumper cover	1	H75AB	17A750	AA
76/	BRACKET ASSY. - water reservoir	1	H75AB	17614	AA
76/	PLATE - front bumper reinforcement	1	H75AB	17757	AA
76/	BRACKET - front bumper reinforcement R.H.	1	H75AB	17766	AA
76/	BRACKET - front bumper reinforcement L.H.	1	H75AB	17767	AA
76/	REINFORCEMENT - front bumper R.H.	1	H75AB	17K820	AA
76/	REINFORCEMENT - front bumper L.H.	1	H75AB	17K821	AA
76/	PAD ASSY. - bumper impact R.H.	1	H75AB	17K831	AA
76/	PAD ASSY. - bumper impact L.H.	1	H75AB	17K831	BA
76/	BAR ASSY. - rear bumper black	1	H75AB	17906	BA
76/	SPACER - rear bumper bar mounting	2	H75AB	17B960	AA
76/	SHOCK ABSORBER ASSY. - rear	2	H75AB	18080	A2A
76/	HOSE - heater inlet	1	H75AD	18472	AA
76/	HOSE - heater outlet	1	H75AB	18472	BA
76/	FLAP ASSY. - plenum drain	1	H75AB	18B564	AB
76/	CLAMP ASSY. - heater hose	1	H75AB	18572	AA
76/	CLAMP ASSY. - heater hose	1	H75AB	18572	BA
76/	DECAL - "RS 2000" - black quarter panel	2	H75AB	19K273	AAAA
76/	REINFORCEMENT ASSY. - front body panel	1	HP75AB	T 002K83	AA
76/	INSULATOR - cowl panel	1	75AG	N 020A42	AA
76/	PANEL ASSY. - front body red	1	H75AB	T 025K70	AAENP
76/	PANEL ASSY. - front body white	1	H75AB	T 025K70	AAFBP
76/	PANEL ASSY. - front body yellow	1	H75AB	T 025K70	AAFLP
76/	CLIP - "Ford" name plate	1	112858	ES7	
76/	PANEL ASSY. - instrument	1	HP75AB	T 04304	AA
76/	CONSOLE ASSY. - black	1	H75AB	T 044K14	AB
76/	BRACKET - console mounting front	1	H75AB	T 045B32	AA

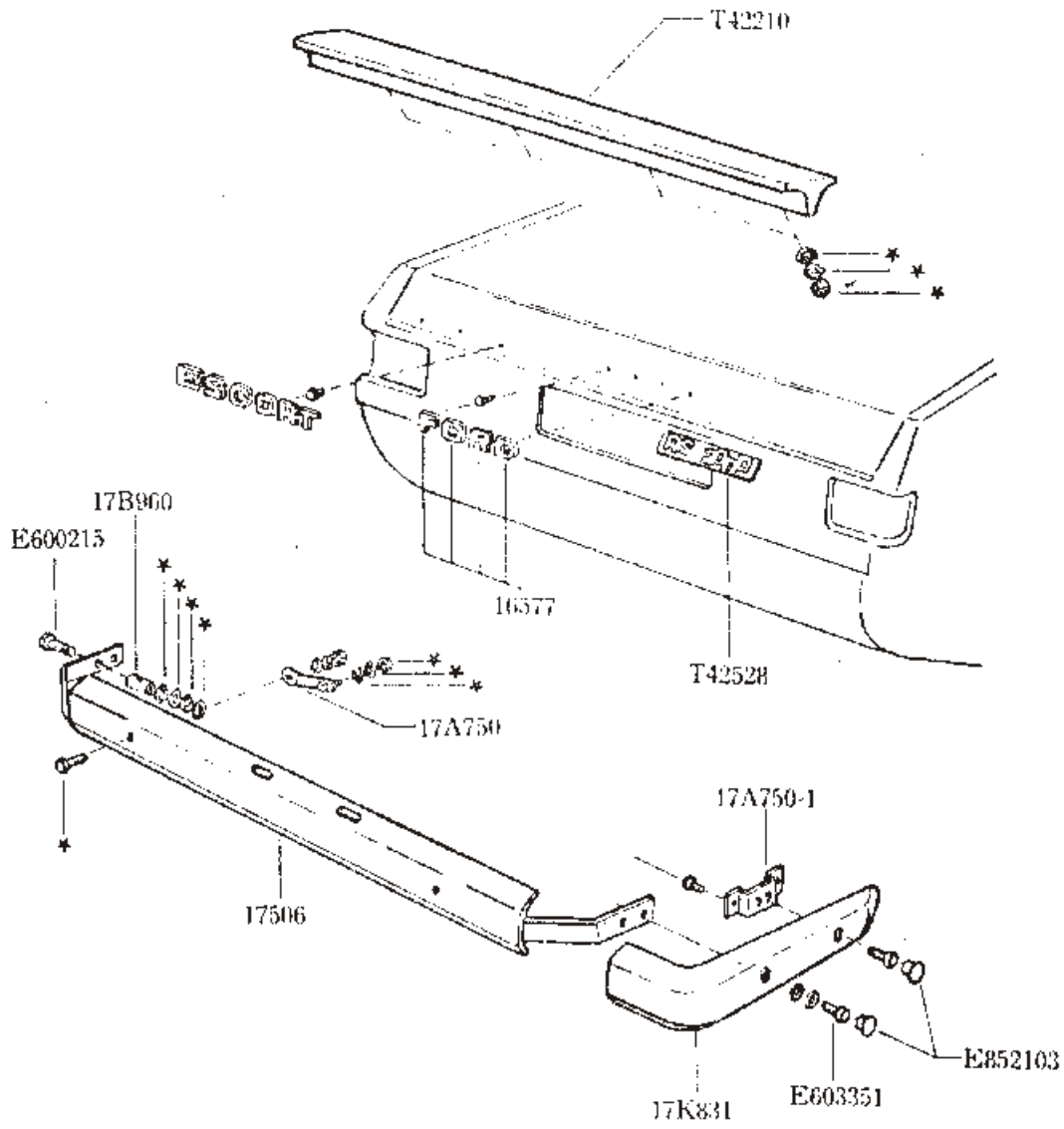
ESCORT RS 2000

76/	BRACKET - console mounting rear	1	H75AB	T 045834	AA
76/	HANDLE ASSY. - roof rail less coat hook	1	77FB	B 045C96	AA
76/	CROSSMEMBER ASSY. - lower	1	HP75AB	T 14230	AA
76/	PLUG - Ray heater plenum chamber drain	1	71BG	T 222K66	AA
76/	DECAL - stripe door lower black	1	H75AB	T 25368	AAAA
76/	DECAL - stripe door upper black	1	H75AB	T 29174	AAAA
76/	DECAL - stripe quarter panel R.H. - front	1	H75AB	T 29394	AAAA
76/	DECAL - stripe quarter panel lower R.H. black	1	H75AB	T 29394	BAAA
76/	DECAL - stripe quarter panel L.H. - front	1	H75AB	T 29395	AAAA
76/	DECAL - stripe quarter panel lower L.H. - black	1	H75AB	T 29395	BAAA
76/	TRIM ASSY. - pillar R.H. - black	1	75AB	T 31002	AAFA
76/	TRIM ASSY. - pillar L.H. black	1	75AB	T 31003	AAFA
76/	TRIM ASSY. - R.H. black quarter panel	1	75AB	T 31012	CAFA
76/	TRIM ASSY. - L.H. black quarter panel	1	75AB	T 31013	CAFA
76/	SPOILER - deck lid black	1	H75AB	T 42210	AAF
76/	DECAL - deck lid "RS 2000" - black	1	H75AB	T 42528	AAAA
76/	BAR - luggage compartment torsion R.H.	1	H75AB	T 44890	AA
76/	BAR - luggage compartment torsion L.H.	1	H75AB	T 44891	AA
76/	MOULDING - roof drip rail R.H.	1	H75AB	T 517A54	AA
76/	MOULDING - roof drip rail L.H.	1	H75AD	T 517A55	AA
76/	HEADLINING - material black	1	SKM2	F 9500	AVSFA



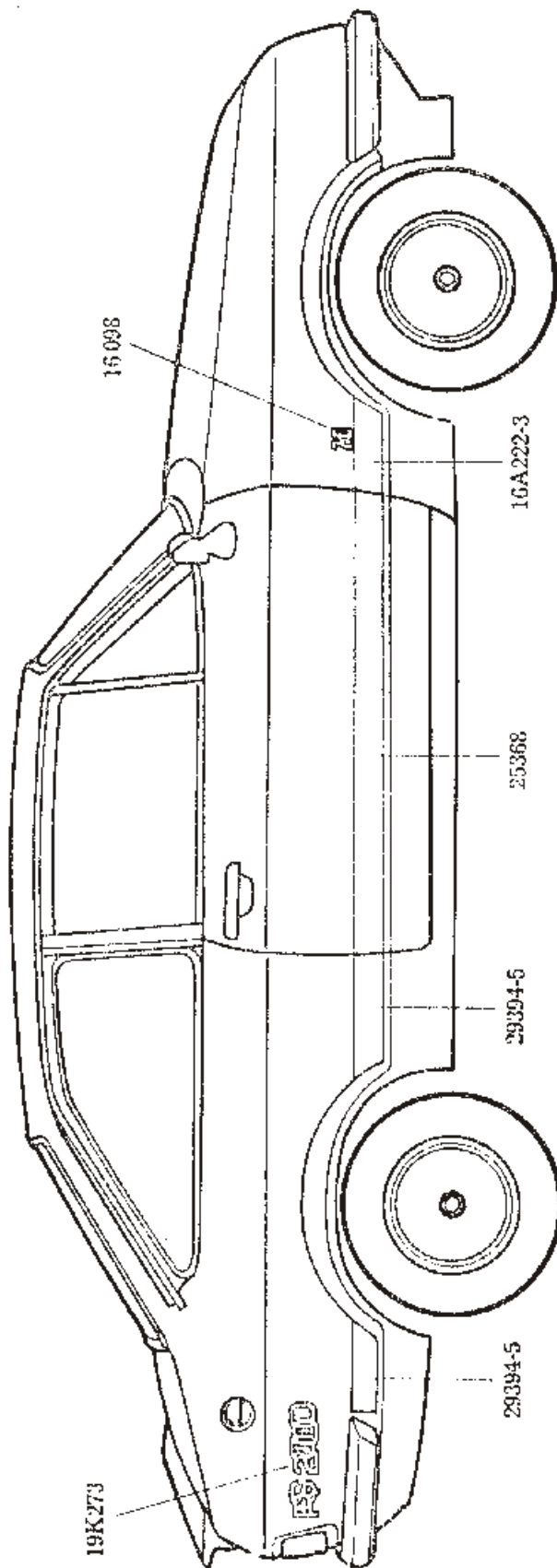
* NCT SERVICED

RS 2000 - FRONT PANEL ASSY



* NCT SERVICED

RS 2000 - REAR BUMPER BAR AND SPOILER ASSY



RS 2000 - SIDE STRIPE AND DECALS